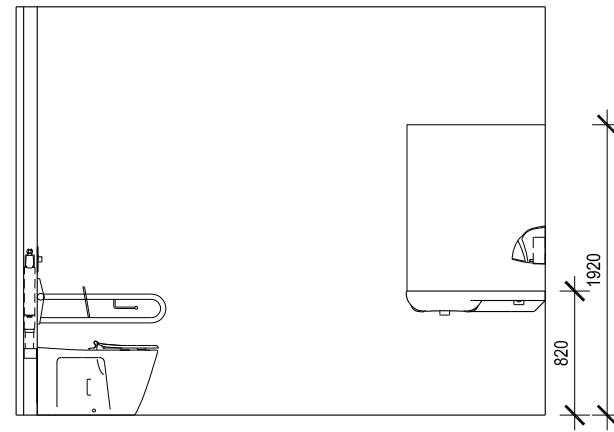
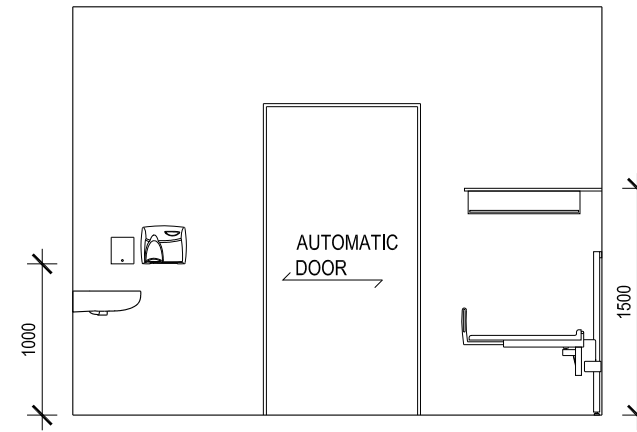


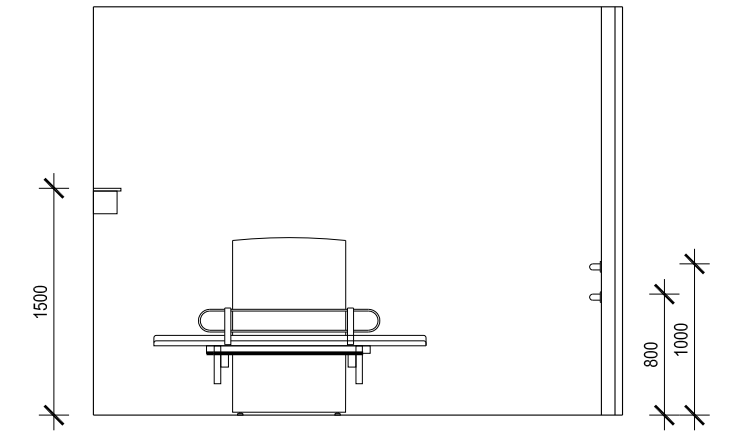
ELEVATION A



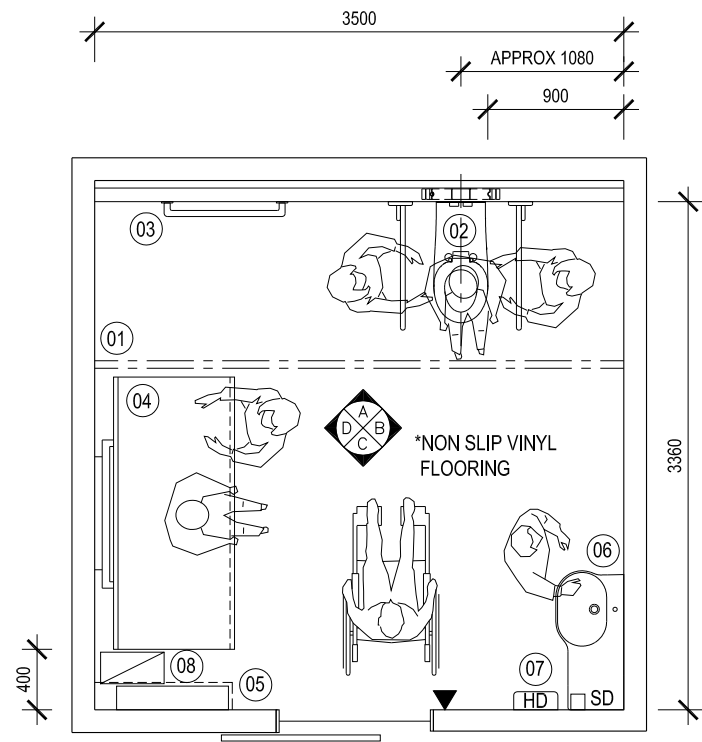
ELEVATION B



ELEVATION C



ELEVATION D



OPTION 1B
 SQUARE CONFIGURATION
 WITHOUT SHOWER

- 01 ROOM COVERAGE HOIST
- 02 ACCESSIBLE WC INCL BACKREST AND LIFT UP GRAB RAILS
- 03 TWO 800MM LONG HORIZONTAL GRAB RAILS AT 800MM AND 1000MM ABOVE FLOOR LEVEL FOR ADJUSTING CLOTHES (WHILE PERSON HOLDS ONTO GRABRAIL)
- 04 ADJUSTABLE HEIGHT CHANGE TABLE, 1800MM LONG WITH SIDE SAFETY RAIL
- 05 DISPOSABLE CHANGE TABLE COVER DISPENSER WITH SHELF OVER
- 06 INTEGRATED WASH HAND BASIN
- 07 HAND DRYER
- 08 BIN
- ▼ AUTOMATIC DOOR CONTROL



REVISION	DATE
DATE	
AUGUST 2014	
SCALE	
1:50	
DRAWING NO	
12110 - DD01B	
PROJECT	
PROPOSED CHANGING PLACES	
ASSISTED CHANGE FACILITIES	
DESIGN OPTIONS	
TITLE	
DESIGN DEVELOPMENT	
OPTION 1B	