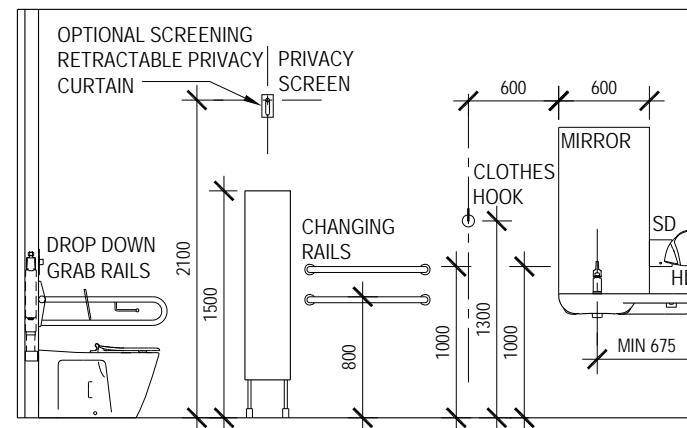
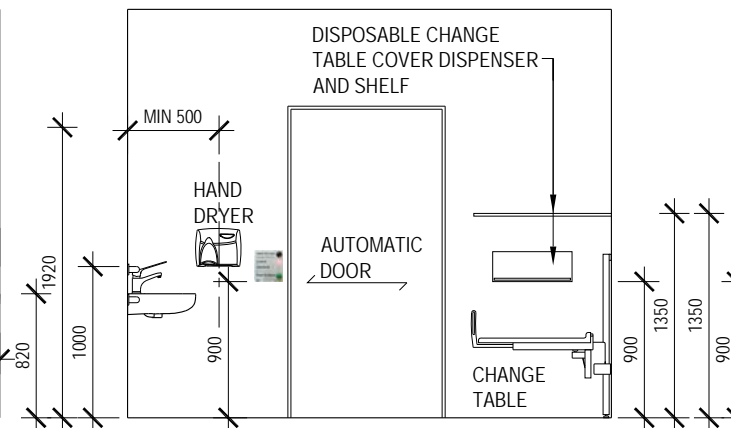


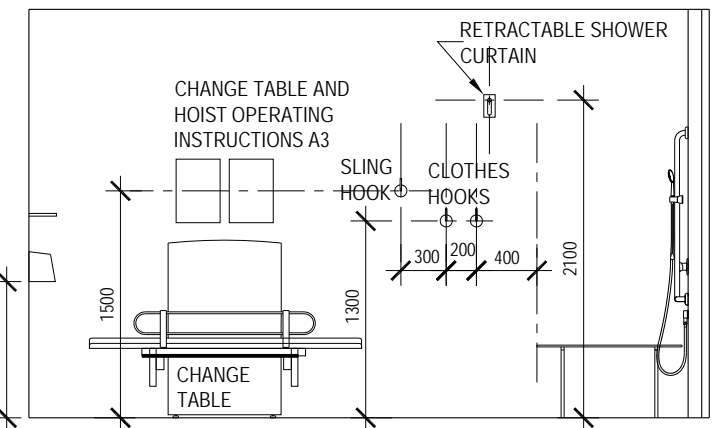
ELEVATION A



ELEVATION B

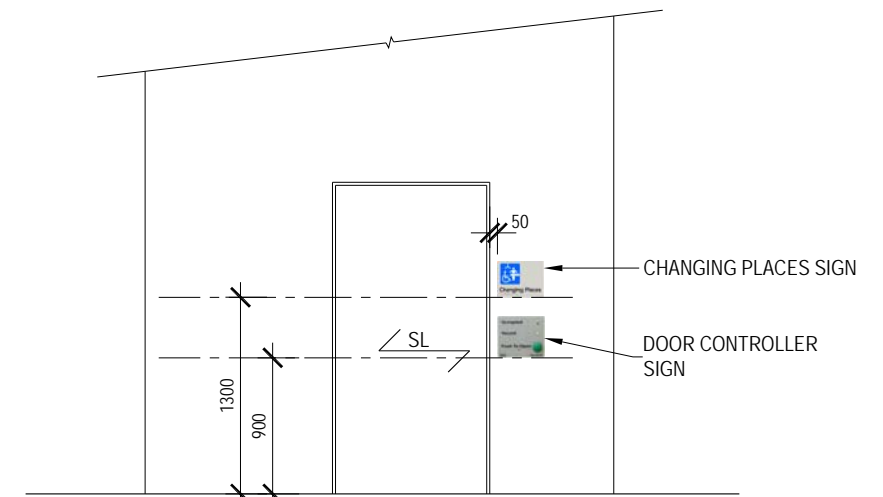


ELEVATION C

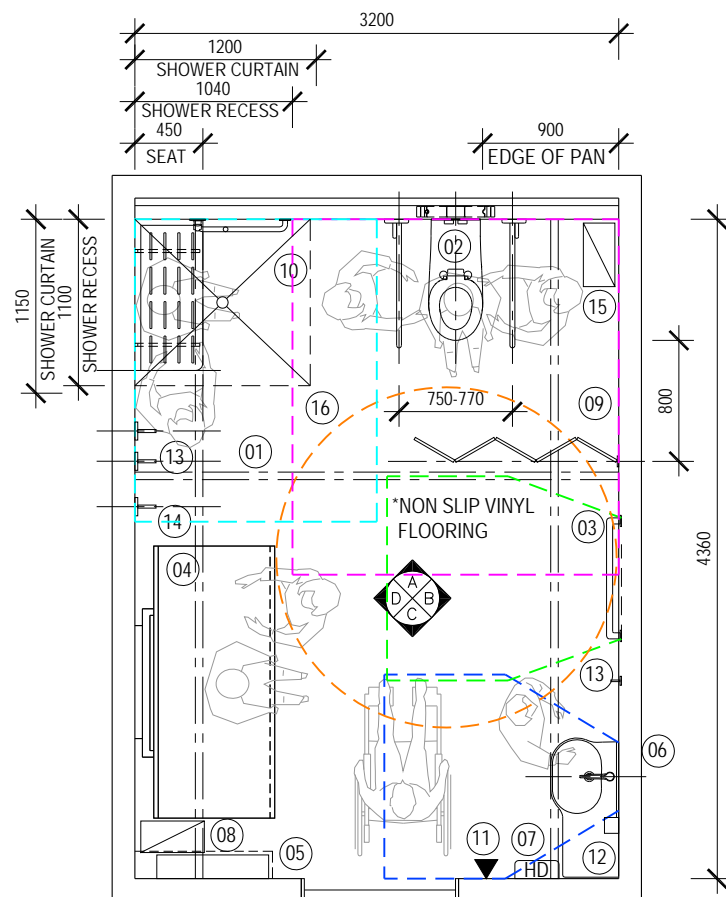


ELEVATION D

- 01 ROOM COVERAGE HOIST
- 02 ACCESSIBLE WC INCL BACKREST AND DROP DOWN CHANING RAILS
- 03 TWO 800MM LONG HORIZONTAL CHANGING RAILS AT 800MM AND 1000MM ABOVE FLOOR LEVEL
- 04 ADJUSTABLE HEIGHT CHANGE TABLE, 1800MM LONG WITH SIDE SAFETY RAIL
- 05 DISPOSABLE CHANGE TABLE COVER DISPENSER WITH SHELF OVER (OPTION AVAILABLE, REFER SPECIFICATION)
- 06 HAND WASH BASIN WITH INTEGRATED SHELF
- 07 HAND DRYER
- 08 INCONTINENCE PAD DISPOSAL BIN
- 09 RETRACTABLE PRIVACY SCREEN 1500MM LONG
- 10 ACCESSIBLE SHOWER
- 11 AUTOMATIC DOOR CONTROL
- 12 SOAP DISPENSER
- 13 CLOTHES HOOKS
- 14 LARGE SLING HOOK
- 15 SANITARY NAPKIN DISPOSAL BIN
- 16 TELESCOPIC SHOWER CURTAINS
- ▼ AUTOMATIC DOOR CONTROL

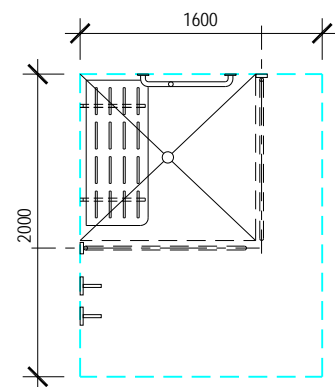


EXTERNAL DOOR ELEVATION

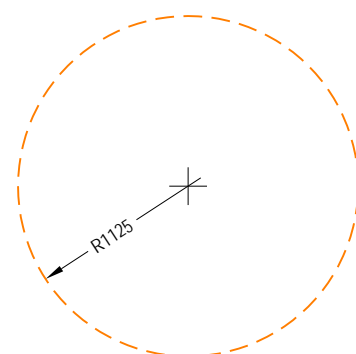


OPTION 2  
 RECTANGULAR CONFIGURATION  
 WITH SHOWER

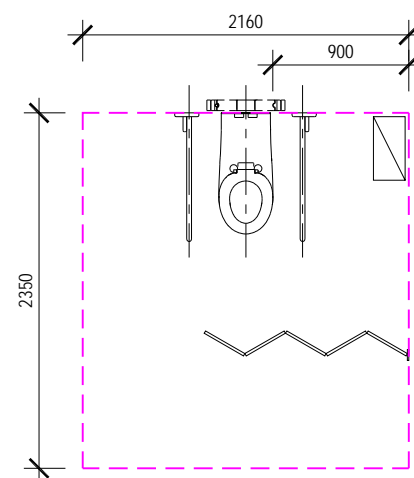
AUTOMATIC DOOR CLEAR OPENING WIDTH:  
 950MM MINIMUM.  
 (1100MM MIN. AT BEACH OR LAKE LOCATIONS)



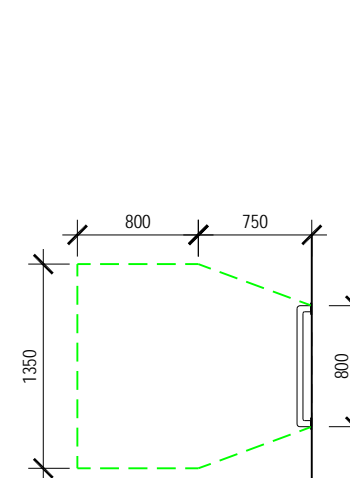
SHOWER  
 CIRCULATION SPACE



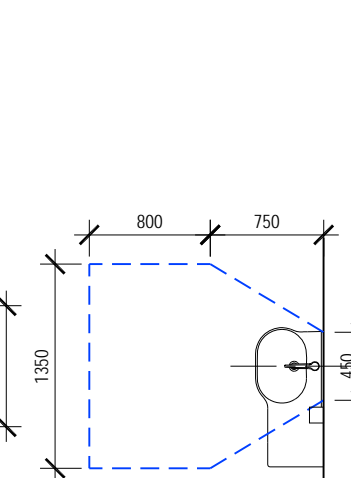
TURNING  
 CIRCULATION SPACE



PAN  
 CIRCULATION SPACE



CHANGING RAILS  
 CIRCULATION SPACE



BASIN  
 CIRCULATION SPACE

