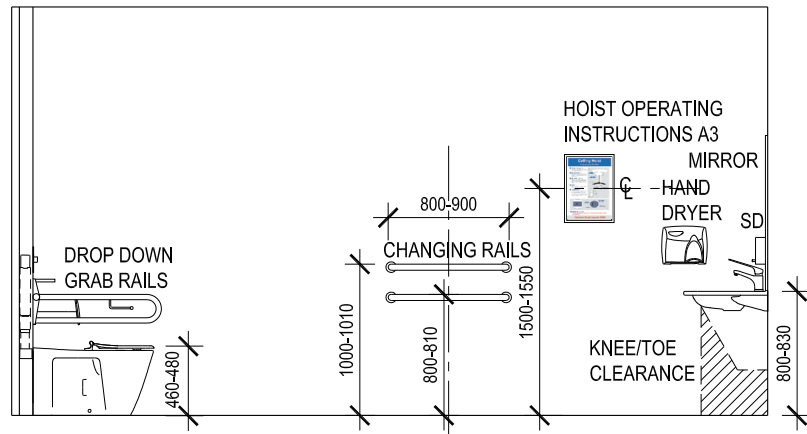
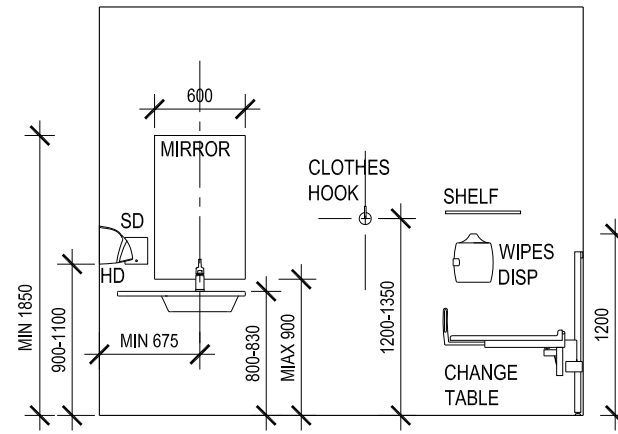


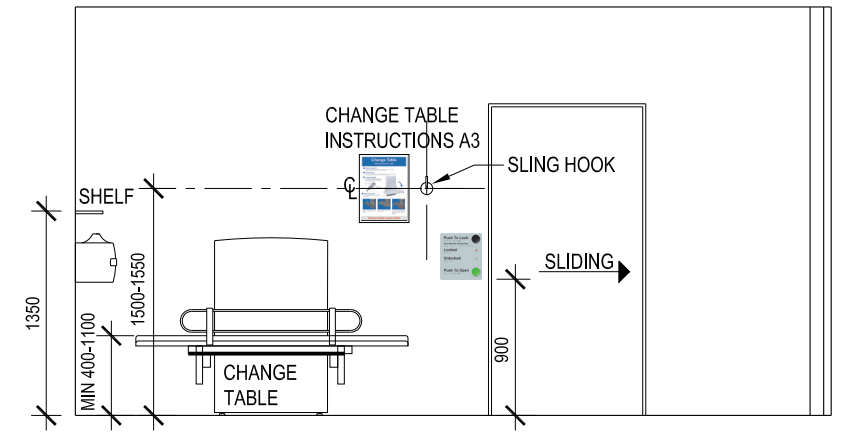
**ELEVATION A**



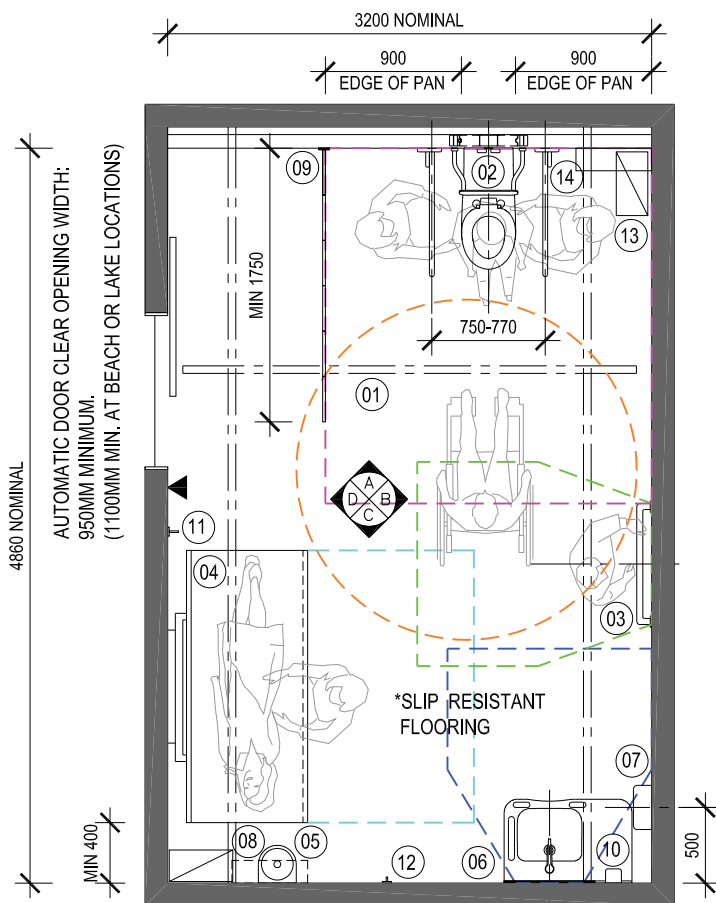
**ELEVATION B**



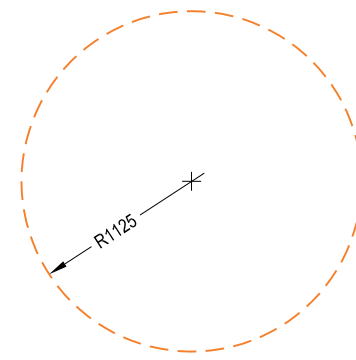
**ELEVATION C**



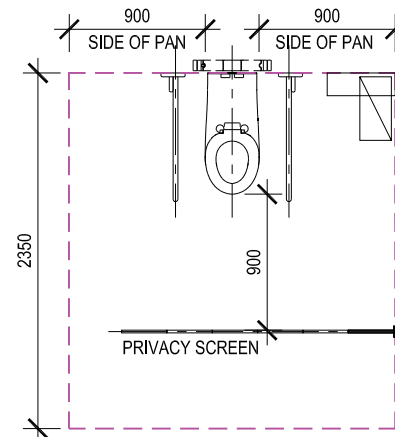
**ELEVATION D**



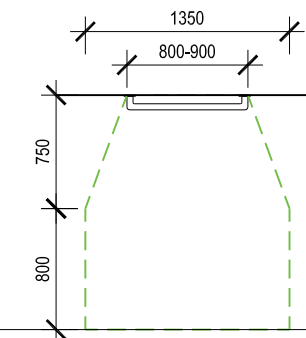
**DESIGN 1C**  
 WITH OR WITHOUT SHOWER  
 ALTERNATIVE DOOR LOCATION



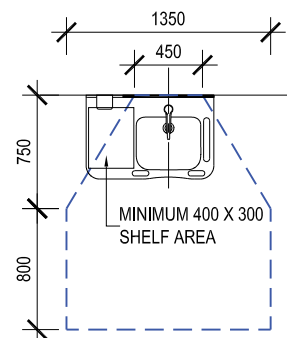
**TURNING CIRCULATION SPACES**



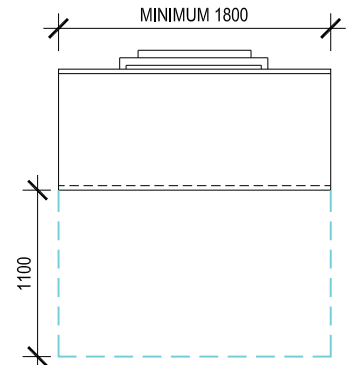
**PAN**



**CHANGING RAILS**

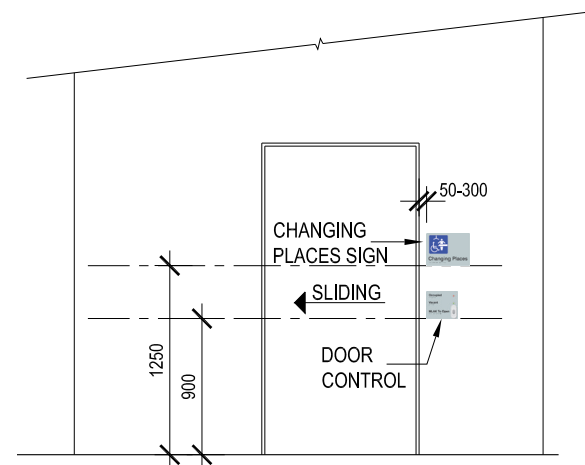


**BASIN**

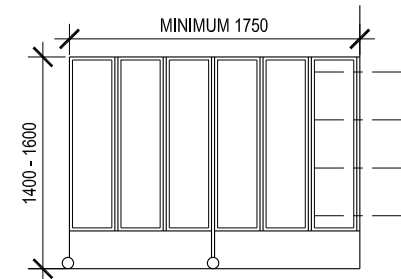


**CHANGE TABLE**

- 01 ROOM COVERAGE HOIST
- 02 ACCESSIBLE WC INCL BACKREST AND DROP DOWN GRABRAILS
- 03 TWO 800-900MM LONG HORIZONTAL CHANGING RAILS AT 800MM AND 1000MM ABOVE FLOOR LEVEL
- 04 ADJUSTABLE HEIGHT CHANGE TABLE, 1800MM LONG WITH SIDE SAFETY RAIL
- 05 CHANGE TABLE WIPE DISPENSER WITH 450 x 150MM SHELF OVER
- 06 HAND BASIN WITH INTEGRATED SHELF
- 07 HAND DRYER
- 08 INCONTINENCE PAD DISPOSAL BIN
- 09 RETRACTABLE PRIVACY SCREEN 1900MM LONG
- 10 SOAP DISPENSER
- 11 LARGE SLING HOOK
- 12 CLOTHES HOOK
- 13 SANITARY PRODUCT DISPOSAL BIN
- 14 450 X 150MM SHELF
- ▼ AUTOMATIC DOOR CONTROL



**EXTERNAL DOOR**



**PRIVACY SCREEN**

